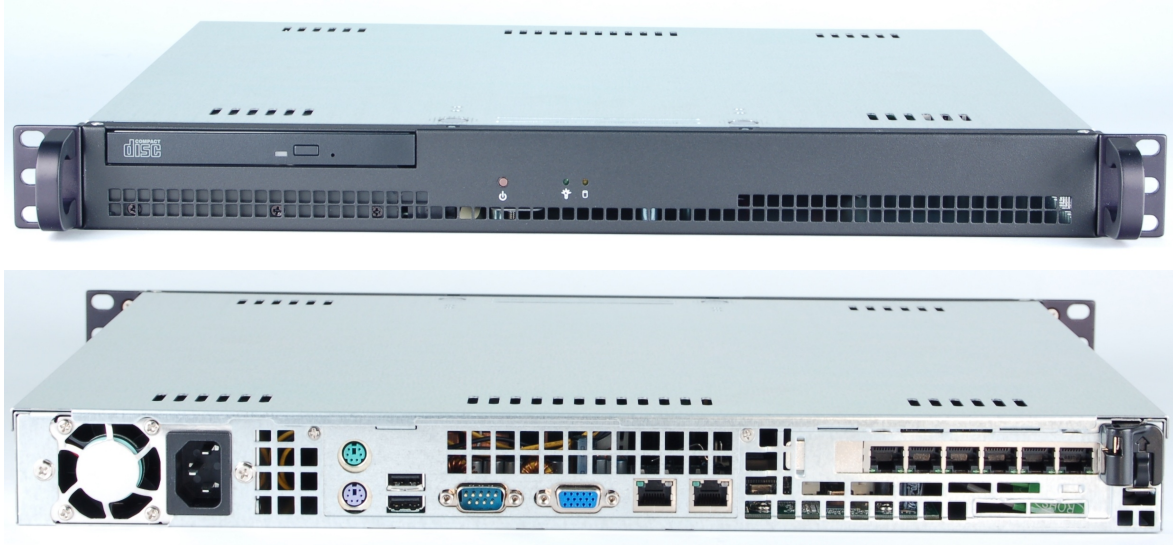


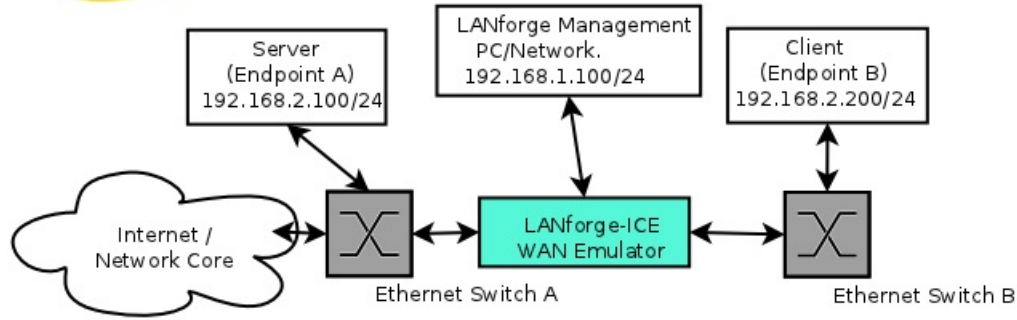
CT960 LANforge-ICE 2Mbps WAN Emulator

The CT960 is an economical choice for a 1U rack-mount network emulator supporting speeds up to 2Mbps (bi-directional). The CT960 fits into a standard rack and is only 14 inches deep. It supports standard VGA, Keyboard, and Mouse interfaces for easy console/desktop access to the system. The CT960 is relatively noisy, so it is better for a data center deployment than a desktop environment. No additional hardware or software is required, but you may wish to manage the system using the LANforge-GUI on a separate machine.



NOTE: This product may have a different hardware configuration than the system pictured above.
Refer to your official quote for details.

Example Network Diagram



This diagram shows how one might use LANforge ICE to emulate a Wide Area Network between a Server and Client. When the Client communicates with the Server, the traffic will flow through the Ethernet switches and then through LANforge ICE. LANforge ICE will enforce the rate limitation and other network emulation as configured. The Client and Server are on the same subnet. For a simpler configuration, the Client and Server can be directly connected to the LANforge ICE system.

Quick Start Guide

1. Connect Management ethernet port to Management network or management PC. If connecting directly to a PC, an ethernet cross-over cable should be used. Or, connect VGA, Keyboard, and Mouse to the chassis and manage it locally.
2. Connect Client to one WAN emulation port and Server to the other. The two interfaces will be bridged and this bridge will inject the network emulation.
3. Connect power plug to a standard US or European AC power source.
4. If managing remotely, install the LANforge-GUI on a separate management PC or Laptop. Windows and Linux GUIs are supported: Select the correct one from the CDROM or Candela Technologies Download page and install it.
5. The CT960 should now boot. If DHCP is enabled on the Management network, the CT960 will automatically acquire an IP address. If DHCP is not available, the IP address will be set to 192.168.1.101 by the LANforge scripts.
6. Start the LANforge-GUI on the management PC, or the CT960 server if managing locally, and click the 'Discover' button. It should find the CT960 appliance and add the IP address to the drop-down box in the Connect widget. Press 'Connect' and you will be connected to the CT960.
7. Select the WanLinks tab in the GUI. One of the pre-configured tests should already be running. You may double-click the row in the top section to modify the configuration. You can also view a real-time report of the test with the 'Display' button. Any modifications take place immediately after you click 'Submit'.

LANforge-ICE Related Screen Shots

WanLinks Tab

Stop All

Restart Manager

Refresh

HELP

Rpt Timer:
 Test Manager:

Hide Stopped

WanLinks for Selected Test Manager

Name	EID	K-M	State	Endpoints (A <-> B)	Pkt Tx A->B	Pkt Tx A<-B	Rate A->B	Rate A<-B	Rpt Timer
VRWL-1.1.000	6.22	<input checked="" type="checkbox"/>	Run	VRWL-1.1.000-A ...	565,080	439,422	1,000,000,000	1,000,000,000	1,00
VRWL-1.1.001	6.3	<input checked="" type="checkbox"/>	Run	VRWL-1.1.001-A ...	4,054,185	3,658,228	1,000,000,000	1,000,000,000	1,00
VRWL-1.1.002	6.2	<input checked="" type="checkbox"/>	Run	VRWL-1.1.002-A ...	18,632	18,593	44,736,000	44,736,000	1,00
VRWL-1.1.003	6.4	<input checked="" type="checkbox"/>	Run	VRWL-1.1.003-A ...	3,657,007	4,040,390	1,000,000,000	1,000,000,000	1,00

All WanLink Endpoints

WPs	Name	Run	Script	Max Rate	Tx Pkts	Rx Pkts	Tx Rate	Tx Drop %	Dropped	Tx-Failed	Failed-Late	TX Bytes
+	VRWL-1.1.0...	<input checked="" type="checkbox"/>	Stopped	1,000,000,...	439,422	565,088	1,014,228	0	0	0	0	653,589,...
+	VRWL-1.1.0...	<input checked="" type="checkbox"/>	Stopped	1,000,000,...	565,080	439,434	1,020,730	0	0	9	0	843,838,...
+	VRWL-1.1.0...	<input checked="" type="checkbox"/>	None	1,000,000,...	3,658,228	4,054,215	69,677	0	0	0	0	782,190,...
+	VRWL-1.1.0...	<input checked="" type="checkbox"/>	None	1,000,000,...	4,054,185	3,658,203	77,642	0	0	0	0	866,984,...
+	VRWL-1.1.0...	<input checked="" type="checkbox"/>	None	44,736,000	18,593	18,613	85,816	0	0	0	0	3,980,56,...
+	VRWL-1.1.0...	<input checked="" type="checkbox"/>	None	44,736,000	18,632	18,612	85,849	0	0	0	0	3,988,51,...

Logged in to: 192.168.100.138:4002 as: Admin

WanLink Display

WanLink Display: VRWL-1.1.000 Manager: brent-6port

Endpoint: VRWL-1.1.000-A (1.1.9.65)

30-sec Averages

WAN Speed: 128 Kbps TX Rate: 128.124 Kbps
RX Rate: 130.572 Kbps TX Pkts: 981
Dropped: 0 Duplicated: 0
Reordered: 0 TX Failed: 0

Rx Throughput [Recorded]

Rx Bytes Dropped [Record-Dropped]

129 KB Backlog

Endpoint: VRWL-1.1.000-B (1.1.11.66)

30-sec Averages

WAN Speed: 128 Kbps TX Rate: 127.734 Kbps
RX Rate: 140.298 Kbps TX Pkts: 1100
Dropped: 0 Duplicated: 0
Reordered: 0 TX Failed: 0

Rx Throughput [Recorded]

Rx Bytes Dropped [Record-Dropped]

129 KB Backlog

WanPaths for WanLink Endpoint: VRWL-1.1.000-A

Name	Tx Rate	Disabled	!	!F	Filter Pattern	Tx Pkts	Rx Pkts	TX Bytes	RX Bytes	Dropped	Dup Pkts	OOO Pkts	Co

WanPaths for WanLink Endpoint: VRWL-1.1.000-B

Name	Tx Rate	Disabled	!	!F	Filter Pattern	Tx Pkts	Rx Pkts	TX Bytes	RX Bytes	Dropped	Dup Pkts	OOO Pkts	Co

Display Selected Paths
 Pause Display
Print
Modify
Stop
Refresh
Clear
Close

Candela Technologies Inc., 2417 Main Street, Suite 201, P.O. Box 3285, Ferndale, WA 98248, USA
www.candelatech.com | sales@candelatech.com | +1 360 380 1618

Create/Modify WanLink Window

VRWL-1.1.009 - Create/Modify WanLink

1 WanLink Information

Name: VRWL-1.1.009

Presets: CUSTOM

Endpoint A	Endpoint B
Port: 25 (rddVR14b)	27 (rddVR15b)
Transfer Rate: 1 (1.544 Mbps)	1 (1.544 Mbps)
Delay: zero (0 us)	zero (0 us)
Drop-Freq: zero (0%)	zero (0%)
Jitter: zero (0 us)	zero (0 us)
Jitter-Freq: zero (0%)	zero (0%)

2 WanLink Information

Pass-Through HW Pass-Through
 Coupled-Mode Kernel-Mode

Resource: 1 (ec2010-ath9k-1)

Rpt Timer: fast (1 s)

Endpoint A	Endpoint B
Reorder-Freq: zero (0%)	zero (0%)
Dup-Freq: zero (0%)	zero (0%)
Drop Burst: min 1 max 1	min 1 max 1
Reorder Amt: min 1 max 20	min 1 max 20

3 Endpoint A WAN Paths

Name	Tx Rate	Disabled	Filter Pattern	Delay
wp1	1.544 M	<input type="checkbox"/>	Src: 0.0.0.0/0 Dest: 0.0.0.0/0	50

Endpoint B WAN Paths

Name	Tx Rate	Disabled	Filter Pattern	Delay

4 WanLink Information

CPU-ID: 0

Replay File:

Endpoint A	Endpoint B
<input type="checkbox"/> ICEcap Replay	<input type="checkbox"/> ICEcap Replay
Dir: <input type="text"/>	Dir: <input type="text"/>
<input checked="" type="checkbox"/> Loop Replay	<input checked="" type="checkbox"/> Loop Replay
<input checked="" type="checkbox"/> Replay Latency	<input checked="" type="checkbox"/> Replay Latency
<input checked="" type="checkbox"/> Replay Loss	<input checked="" type="checkbox"/> Replay Loss
<input checked="" type="checkbox"/> Replay Dup	<input checked="" type="checkbox"/> Replay Dup
<input checked="" type="checkbox"/> Replay Bandwidth	<input checked="" type="checkbox"/> Replay Bandwidth

WanLink Information

Test Manager: default_tm

Dump File:

Endpoint A	Endpoint B
<input type="checkbox"/> Dump Packets	<input type="checkbox"/> Dump Packets
<input type="checkbox"/> Force Packet Gap	<input type="checkbox"/> Force Packet Gap
<input type="checkbox"/> Drop-Xth	<input type="checkbox"/> Drop-Xth
<input type="checkbox"/> Reorder-Xth	<input type="checkbox"/> Reorder-Xth
QDisc: FIFO	FIFO
Max Lateness: AUTO	AUTO
Backlog Buffer: AUTO	AUTO

Corruption: 1

Rate: 0

Corruption: Random Write

Byte-to-Write: 0

Range Offset: min 0 max 0

Chain-to-Next
 Checksum

Corruption: 4

Rate: 0

Corruption: Random Write

Byte-to-Write: 0

Range Offset: min 0 max 0

Chain-to-Next
 Checksum

Software Features

1. General purpose WAN and Network impairment emulator.
2. Able to simulate DS1, DSL, CableModem, Satellite links and other rate-limited networks, from 10bps up to 2Mbps (full duplex).
3. Can modify various network attributes including: network-speed, latency, jitter, packet-loss, packet-reordering, and packet-duplication.

4. Supports Packet corruptions, including bit-flips, bit-transposes and byte-overwrites.
5. Supports WanPath feature to allow configuration of specific behavior between different IP subnets, MAC addresses or other packet filters using a single pair of physical interfaces. WanPath support may require purchase of additional WanPath licenses, please ask your sales contact for more information.
6. Supports routed and bridged mode for more flexibility in how you configure your network and LANforge-ICE.
7. Supports WAN emulation across virtual 802.1Q VLAN interfaces more efficient use of limited physical network interfaces.
8. Supports 'WAN-Playback' allowing one to capture the characteristics of a live WAN and later have LANforge-ICE emulate those captured characteristics. The playback file is in XML format, and can be easily created by hand or with scripts. The free LANforge-ICEcap tool can be used to probe networks and automatically create the XML playback file.
9. Allows packet sniffing and network protocol decoding with the integrated [Wireshark](#) protocol sniffer.
10. Includes comprehensive management information detailing all aspects of the LANforge system including processor statistics, test cases, and Ethernet port statistics.
11. GUI runs as Java application on Linux, Solaris and Microsoft Operating Systems (among others).
12. GUI can run remotely, even over low-bandwidth links to accommodate the needs of the users.
13. Central management application can manage multiple units, tests, and testers simultaneously.
14. Includes easy built-in scripting to automatically iterate through bandwidth, latency and other settings. Advanced programatic scripting over a TCP socket also supported and example perl libraries and scripts are included.
15. Automatic discovery of LANforge resources simplifies maintenance and configuration of LANforge test equipment.

Hardware Specification

1. Economy 1U rackmount server.
2. Operating System: Fedora Linux with customized Linux kernel.
3. 1.8 GHz or higher processor.
4. One add-in NIC slot.
5. 2 Intel Pro/100 10/100 Ethernet ports for WAN emulation. Additional Ethernet interface for management.
6. 256+ MB RAM.
7. 40 GB Hard Drive.
8. Solid State Drive option available.
9. Standard US or European power supply (automatically detects EU v/s US power).
10. Weight: 18 lbs or 8.2 kg.
11. Dimensions: 17 x 14 x 1.75 inches (14-inch deep 1U rackmount server) Metric: 432 x 356 x 44 mm.

List Price: \$call List Price with 1 Year support (17%): \$call

Additional Feature Upgrades

Unless otherwise noted in the product description, these features usually cost extra:

- WanPaths (LANforge-ICE feature set)
- Virtual Interfaces: MAC-VLANs, 802.1Q VLANs, WiFi stations, etc
- LANforge FIRE traffic generation.
- VOIP: Each concurrent call over the included package requires a license.
- Armageddon: Each pair of ports requires a license if not already included.

- External battery pack: 12+ hours for CT521, CT523, CT919, CT92X platforms. Ask for others.

Candela Technologies Inc., 2417 Main Street, Suite 201, P.O. Box 3285, Ferndale, WA 98248, USA
www.candelatech.com | sales@candelatech.com | +1 360 380 1618

Last modified: Fri Mar 3 11:18:30 PST 2017